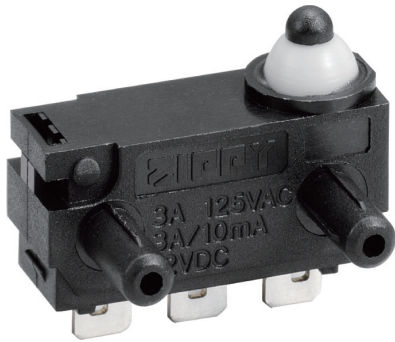
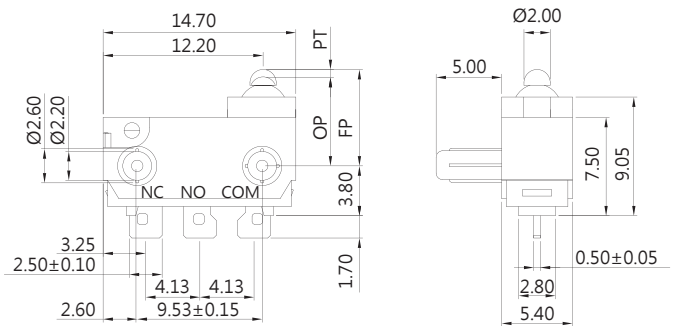


WATER PROOF SWITCHES



DIMENSIONS

Unless otherwise specified, a tolerance of $\pm 0.4\text{mm}$ applies to all dimensions.



DW SERIES

SPECIFICATIONS

Contact Resistance(initial)

Max. 100 mΩ

Measured by ohm meter - open voltage <1 VDC, driver current -100 mA

Insulation Resistance (at 500VDC/minute)

Min. 100MΩ

Dielectric Strength

Min. 150VAC(50-60HZ)/minute between Live parts.

Min. 500VAC(50-60HZ)/minute between Live parts and dead metal parts

Operating Temperature Range

-40°C to 85°C (with no icing)

Vibration

10~55Hz, displacement 0.75 mm (p-p)

Electrical Service Life

10mA - Min. 500,000 operations

3A - Min. 6,000 operations

Electrical Operating Frequency

10~30 operations per minute

Mechanical Service Life

Min. 500,000 operations

Mechanical Operating Frequency

120 operations per minute

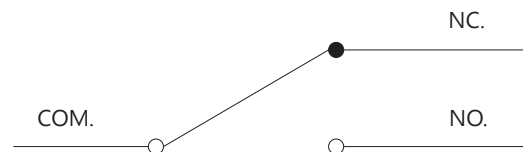
Operating application of the switch

Set the switch pushing distance from 60% to 90% of the specified OT value

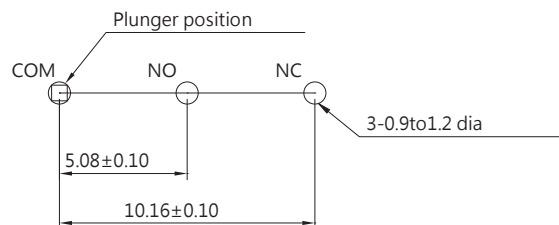
APPLICATIONS

Automotive (Seat Belt, Door Latch, Engine Hood, Door Trunk), Air Conditioner, Communication, Security System, Electric Tooth Brush, Toy

CONTACT CONFIGURATION



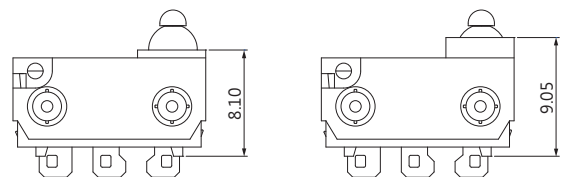
MOUNTING HOLES FOR PCB TERMINAL



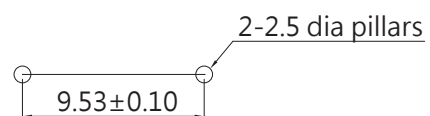
TRAVEL TYPES

LONG TRAVEL

SHORT TRAVEL



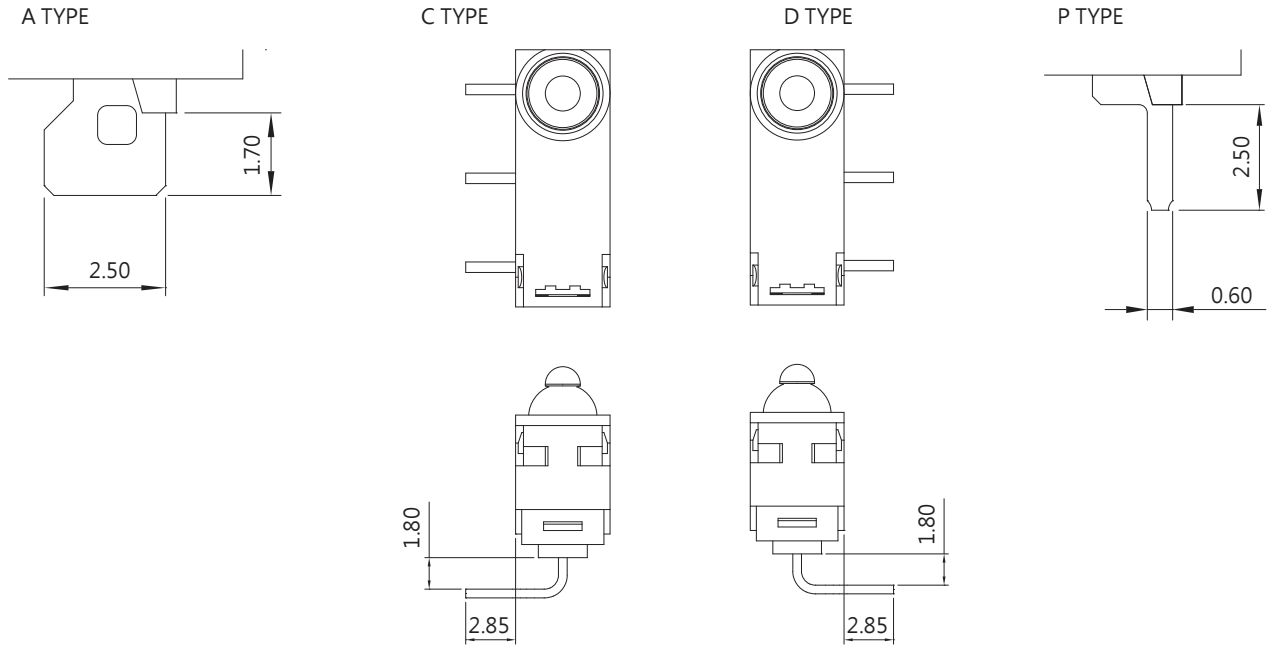
PILLAR PITCH



CERTIFICATE INFORMATION

Model Name	UL, cUL	ENEC
DW-N2S	10 mA 12 VDC (Temp65°C), Min. 10,000 operations	10 mA 12 VDC, μ T55 5E5
DW-N3S	3 A 12 VDC (Temp65°C) Min. 100,000 operations 3 A 125 VAC (Temp65°C) Min. 6,000 operations	3 A 12 VDC, μ T55 1E5

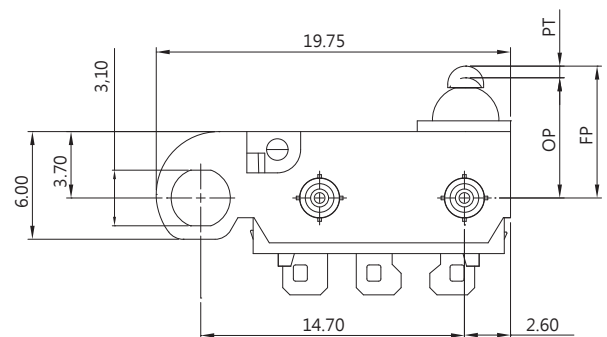
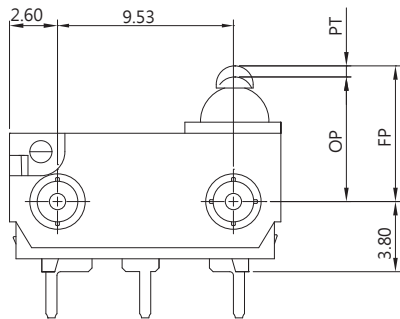
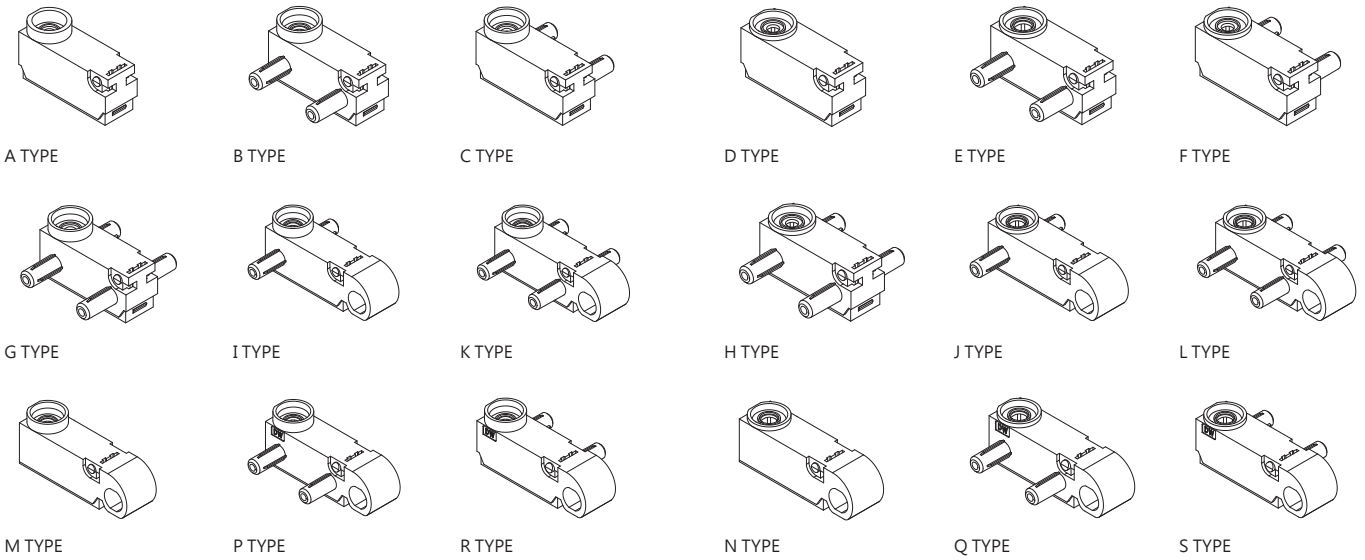
TERMINAL TYPES (THE thickness of each terminal is 0.5mm)



COVER TYPES (PILLAR & TRAVEL TYPES)

SHORT TRAVEL

LONG TRAVEL



ORDERING INFORMATION

DW	N2	S	01	A	0	A	0A	Z
SERIES PREFIX	RATING CURRENT	OPERATING FORCE	ACTUATOR TYPE	TERMINAL TYPE	CIRCUIT ARRANGEMENT	PILLAR & TRAVEL TYPE	SERIAL CODE	ROHS CODE
	10mA 12VDC Contact Plated Gold and Terminal Plated Silver	S STANDARD	00	A	0 S.P.D.T	A		
	N2		01	C	1 S.P.S.T.NO	B		
	N3 3A 125VAC		04	D	2 S.P.S.T.NC	C		
				P		G		
						I		
						K		
						M		
						P		
						R		
						D		
						E		
						F		
						H		
						J		
						L		
						N		
						Q		
						S		

CODE	L1	H	ØA	ØB	ØC	ØD	P
A	2.0	3.7	2.2	2.6	2.2	2.6	9.53
B	3.5	3.7	2.2	2.6	2.2	2.6	9.53
C	2.8	3.75	2.7	3.1 (THREE RIBS)	2.2	2.6	9.53
D	4.0	3.7	2.2	2.6	2.2	2.6	9.53
E	0.9	3.7	2.2	N/A	2.2	N/A	9.53
F	1.8	3.7	2.5	N/A	2.5	N/A	9.53
G	5.0	3.7	2.4	2.8	2.4	2.8	8.0
I	2.8	3.75	2.2	2.6	2.2	2.6	9.53

OPERATING CHARACTERISTICS

SWITCH TYPE	PART SUFFIX	OF Max (gf)	OP (mm)	PT Max (mm)	OT Min (mm)	MD Max (mm)	FP Max (mm)	RF Min (gf)
DW- □□ S-00 □□ -Z		S	130	0.8	0.8	0.3	3.65	35
							7.35	
DW- □□ S-01 □□ -Z		S	195	3.85	1.35	0.5	7.0	55
							10.7	
DW- □□ S-04 □□ -Z		S	160	4.8	1.65	0.7	10.1	45
							13.8	